


ON-BOARD SIDE CONTACT

Kitagawa series: OGSC



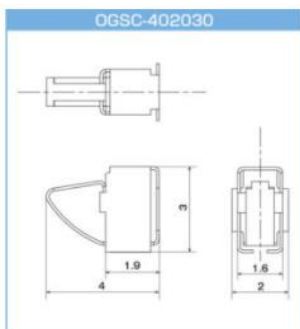
- Ideal for applications where standard grounding between parallel boards/chassis is not possible.
- Component resists deformation even during lateral sliding.
- Reduces load on PCB.
- Temperature Range: -40 to +85°C.

[Application Examples](#) [Reel Quantities](#)

Material

Part Number	Material
OGSC-402030	Phosphor bronze for spring (Sn reflow plating)
OGSC-756030	Phosphor bronze for spring (Sn reflow plating)

Dimensions (mm)



Characteristics between Compression Force and Resistance

